

8FG18 8FD18

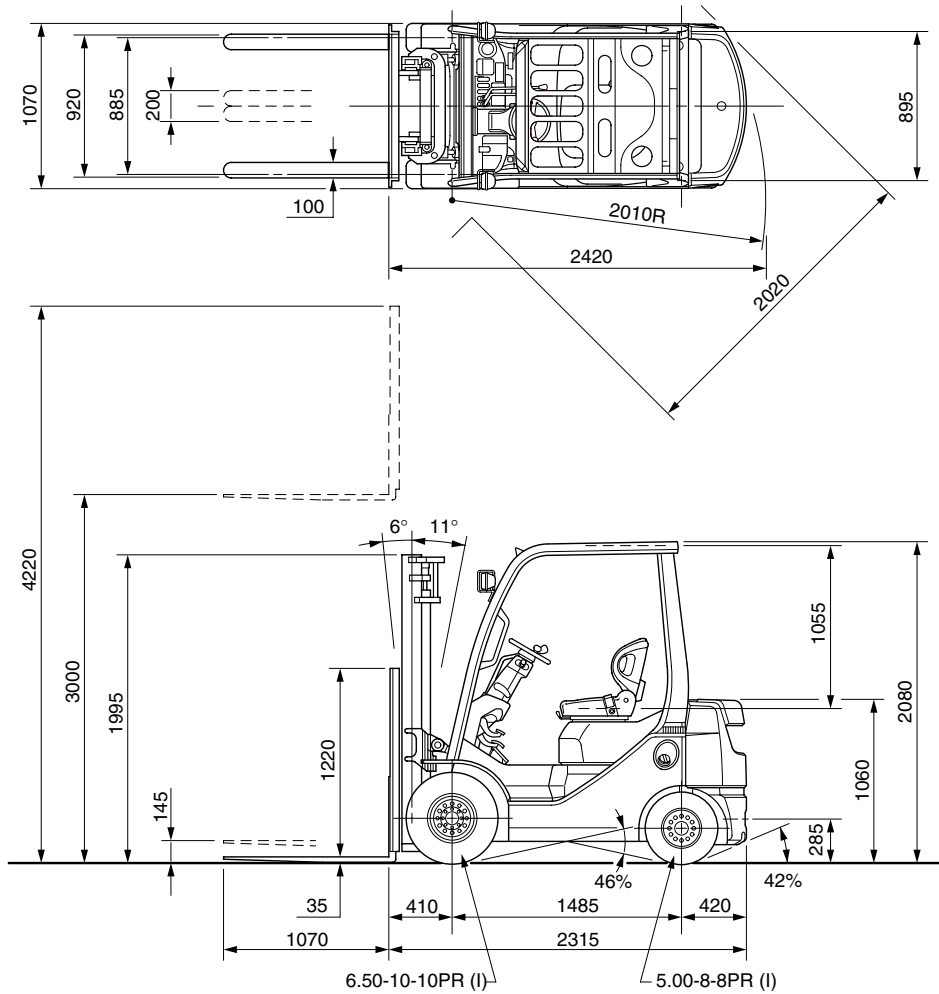
MAIN VEHICLE SPECIFICATIONS

1	Manufacturer			TOYOTA	TOYOTA
2	Model			32-8FG18	62-8FD18
3	Load Capacity	kg		1750	1750
4	Load Center	mm		500	500
5	Power Type			Gasoline	Diesel
6	Operator Position			Rider Seated	Rider Seated
7	Tire Type	Front/Rear		Pneumatic	Pneumatic
8	Wheels (x = driven)	Front/Rear		2x/2	2x/2
9	Maximum Fork Height (MFH)	mm		3000	3000
10	Free Lift	mm		145	145
13	Fork Size	T x W x L	mm	35x100x1070	35x100x1070
	Fork Spread (Outside)	MAX./MIN.	mm	920/200	920/200
14	Tilt Range	FWD/BWD	deg	6/11	6/11
15	Length to Fork Face		mm	2315	2315
16	Overall Width		mm	1070	1070
17	Mast Lowered Height		mm	1995	1995
18	Mast Extended Height		mm	3920	3920
19	Overhead Guard Height		mm	2080	2080
21	Turning Radius (Outside)		mm	2010	2010
22	Load Distance (Centerline of front axle to front face of forks)		mm	410	410
	Rear Overhang		mm	420	420
23	Basic Right Angle Stacking Aisle Width (Add load length and clearance)		mm	2420	2420
24	Travel, Max. (FWD/RVS)	Full Load	km/h	18.5/18.5	18.5/18.5
		No Load	km/h	19.0/19.0	19.0/19.0
25	Speeds	Lifting	Full Load	mm/sec	610
		No Load	mm/sec	660	675
26	Lowering	Full Load	mm/sec	500	500
		No Load	mm/sec	550	550
28	Max. Drawbar Pull	Full Load	N (kg)	17100 (1740)	17600 (1790)
		No Load	N (kg)	6300 (640)	6300 (640)
	Max. Drawbar Pull at 1.5km/h *	Full Load	N (kg)	15600 (1590)	16000 (1630)
29	Gradeability at 1.5 km/h *	Full Load	% (tanθ)	40	40
30	Max. Gradeability *	Full Load	% (tanθ)	45	44
		No Load	% (tanθ)	20	20
32	Total Weight		kg	2610	2710
33	Weight Distribution	Full Load	Front	kg	3790
		Rear	kg	570	550
34	No Load	Front	kg	970	1090
		Rear	kg	1640	1620
35	Tires	Number	Front/Rear		2/2
36	Size	Front		6.50-10-10PR (I)	6.50-10-10PR (I)
37		Rear		5.00-8-8PR (I)	5.00-8-8PR (I)
38	Wheelbase		mm	1485	1485
39	Tread	Front	mm	885	885
		Rear	mm	895	895
	Backrest Height		mm	1220	1220
	Overhead Guard Clearance		mm	1055	1055
	Counterweight Height		mm	1060	1060
	Drawbar Pin Center Height		mm	285	285
	Step Height/Floor Height		mm	395/635	395/635
40	Underclearance	Min. with Load	mm	115	115
41		Center of Wheelbase	mm	130	130
	Grade Clearance	Frame/Counterweight	% (tanθ)	46/42	46/42
42	Brake	Service (Foot)		Hydraulic	Hydraulic
43		Parking			Foot
45	Battery	Voltage/Capacity (5HR)	V/AH	12/27	12/55
49		Make/Model		TOYOTA/4Y	TOYOTA/1DZ-II
50		Rated Horsepower/r.p.m.	kW (JIS ps)	40/2400 (54/2400)	40/2400 (54/2400)
51	Internal Combustion Engine	Rated Torque/r.p.m.	N-m (JIS kg-m)	161/1800 (16.4/1800)	166/1600 (16.9/1600)
		Number of Cylinder		4	4
52		Piston Displacement	cc	2237	2486
		Fuel Tank Capacity	liter	45	45
55	Transmission	Type		Powershift	Powershift
		Stage	FWD/RVS		1/1
57	Operating Pressure	For Attachments	Mpa (kg/cm ²) <psi>	11.8 (120) <1700>	11.8 (120) <1700>

NOTE: * Computed values.

DIMENSIONAL DRAWINGS
8FG/8FD18

Unit: mm



UNDERCLEARANCE

Mast	-----	
Drive Axle	-----	120
Steer Axle	-----	120
Center of Wheelbase	-----	130
Counterweight	-----	120

SPECIAL TREAD

Model		8FG/8FD18		
Front Tire	Single/Dual	Single	Single	Dual
Front Tire Size		6.50-10-10PR (I)	21x8-9-10PR (I)	4.50-12-8PR (I)
Overall Width	mm	1070	1110	1290
Tread, Front	mm	885	920	1010

SPECIAL MAST

Wide Visible Full-Free Lift Two-Stage Mast (FV), Wide Visible Full-Free Lift Three-Stage Mast (FSV)

Model		8FG18	8FD18	8FG18	8FD18
Type of Mast		FV		FSV	

PERFORMANCE

Speeds	Lifting	Full Load	mm/sec	565	600	570	620
		No Load	mm/sec	610	640	615	650
	Lowering	Full Load	mm/sec		480		480
		No Load	mm/sec		420		450

DIMENSIONS

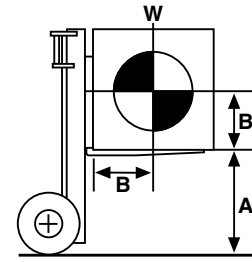
Load Distance (Centerline of front axle to front face of forks)	mm	415	430
--	----	-----	-----

RATED CAPACITIES

8FG/8FD18

V, FV Mast (PN or PSC)

A (mm)	3700	4000	4500	5000
500	1750	1700	1600	1550
600	1570	1530	1440	1390
700	1430	1390	1310	1270
800	1310	1270	1200	1160
900	1210	1180	1110	1070
1000	1120	1090	1030	1000
1100	1050	1020	960	930
1200	980	960	900	870



A: Max. Fork Height
B: Load Center
W: Capacity

FSV Mast (PN)

A (mm)	4000	4300	4500	4700	5000	5500	6000	6500	7000
500	1600	1550	1500	1500	1450	1100 [1400]	850 [1200]	— [850]	— [600]
600	1440	1390	1350	1350	1300	990 [1260]	760 [1080]	— [760]	— [540]
700	1310	1270	1230	1230	1190	900 [1150]	690 [980]	— [690]	— [490]
800	1200	1170	1130	1130	1090	830 [1050]	640 [900]	— [640]	— [450]
900	1110	1080	1040	1040	1010	760 [970]	590 [830]	— [590]	— [410]
1000	1040	1000	970	970	940	710 [910]	550 [780]	— [550]	— [390]
1100	970	940	910	910	880	660 [850]	510 [720]	— [510]	— [360]
1200	910	880	850	850	820	620 [790]	480 [680]	— [480]	— [340]

FSV Mast (PSC)

A (mm)	5500	6000
500	1200	950
600	1080	850
700	980	780
800	900	710
900	830	660
1000	780	610
1100	720	570
1200	680	540

[] for dual tire models (PN or PSC).

MAST SPECIFICATIONS & RATED CAPACITIES

Wide Visible Mast (V), Wide Visible Full-Free Lift Two-Stage Mast (FV), Wide Visible Full-Free Lift Three-Stage Mast (FSV)
8FG/8FD18

Mast Type	Maximum Fork Height	Overall Height				Free Lift		Single Tire				Dual Tire	
		Lowered	Extended		Without Load Backrest	With Standard Load Backrest	Tilt Range		Load Capacity at 500 mm LC		Tilt Range		Load Capacity at 500 mm LC
			Without Load Backrest	With Standard Load Backrest			Pneumatic Tire	Pneumatic-Shaped Cushion Tire	FWD	BWD	Pneumatic Tire/ Pneumatic-Shaped Cushion Tire		
												deg	
mm	mm	mm	mm	mm	mm	deg	deg	kg	kg	deg	deg	kg	
V	2700	1845	3320*	3920	145	145	6	11	1750	1750	7	10	1750
	3000	1995	3620*	4220	145	145	6	11	1750	1750	7	10	1750
	3300	2145	3920*	4520	145	145	6	11	1750	1750	7	10	1750
	3500	2245	4120*	4720	145	145	6	11	1750	1750	7	10	1750
	3700	2405	4320*	4920	145	145	6	11	1750	1750	7	10	1750
	4000	2595	4620*	5220	145	145	6	11	1700	1700	7	10	1700
	4500	2845	5120*	5720	145	145	6	6	1600	1600	7	10	1600
5000	3095	5620*	6220	145	145	6	6	1550	1550	7	5	1550	
FV	2870**	1930	3430	4085	1365	710	6	11	1750	1750	7	10	1750
	3000	1995	3560	4210	1430	780	6	11	1750	1750	7	10	1750
	3300	2145	3860	4510	1580	930	6	11	1750	1750	7	10	1750
	3500	2245	4060	4710	1680	1030	6	11	1750	1750	7	10	1750
	3700	2405	4260	4910	1840	1190	6	11	1750	1750	7	10	1750
4000	2595	4560	5210	2030	1380	6	11	1700	1700	7	10	1700	
FSV	3700	1795	4235	4915	1260	580	6	6	1600	1600	7	5	1600
	4000	1895	4535	5215	1360	680	6	6	1600	1600	7	5	1600
	4300	1995	4835	5515	1460	780	6	6	1550	1550	7	5	1550
	4500	2065	5035	5715	1530	850	6	6	1500	1500	7	5	1500
	4700	2145	5235	5915	1610	930	6	6	1500	1500	7	5	1500
	5000	2245	5535	6215	1710	1030	6	6	1450	1450	7	5	1450
	5500	2405	6035	6715	1870	1190	6	6	1100	1200	7	5	1400
	6000	2595	6535	7215	2060	1380	6	6	850	950	7	5	1200
	6500	2845	7035	7715	2310	1630	—	—	—	—	7	5	850
	7000	3095	7535	8215	2560	1880	—	—	—	—	7	5	600

NOTE: Height of standard load backrest is 1220 mm.
* with A4 piping, minus 15 mm.
** Set only to a Russian specification.