

8FGJ35 8FDJ35

MAIN VEHICLE SPECIFICATIONS

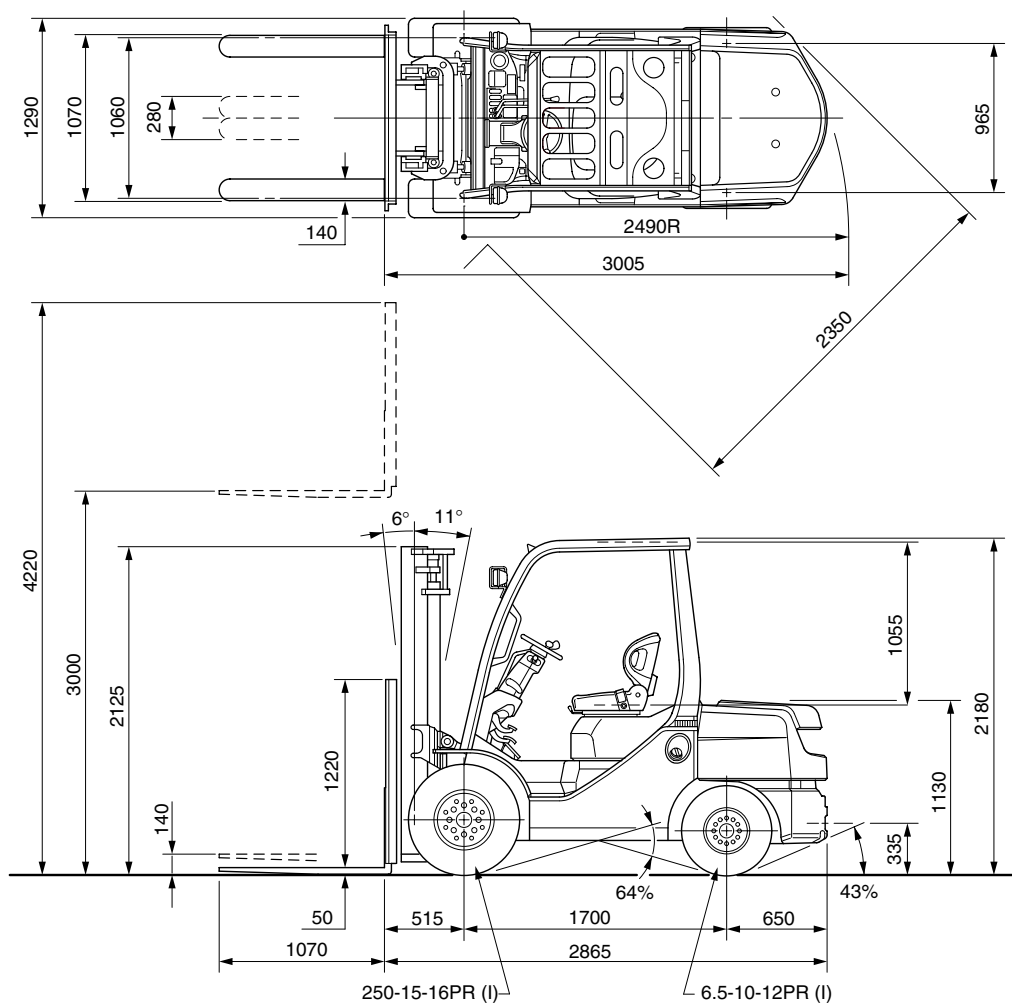
				TOYOTA		TOYOTA	
				30-8FGJ35	32-8FGJ35	70-8FDJ35	72-8FDJ35
1	Manufacturer			TOYOTA		TOYOTA	
2	Model			30-8FGJ35	32-8FGJ35	70-8FDJ35	72-8FDJ35
3	Load Capacity	kg		3500		3500	
4	Load Center	mm		500		500	
5	Power Type			Gasoline		Diesel	
6	Operator Position			Rider Seated		Rider Seated	
7	Tire Type	Front/Rear		Pneumatic		Pneumatic	
8	Wheels (x = driven)	Front/Rear		2x/2		2x/2	
9	Maximum Fork Height (MFH)	mm		3000		3000	
10	Free Lift	mm		140		140	
13	Fork Size	T x W x L	mm	50x140x1070		50x140x1070	
	Fork Spread (Outside)	MAX./MIN.	mm	1070/280		1070/280	
14	Tilt Range	FWD/BWD	deg	6/11		6/11	
15	Length to Fork Face		mm	2865		2865	
16	Overall Width		mm	1290		1290	
17	Mast Lowered Height		mm	2125		2125	
18	Mast Extended Height		mm	4070		4070	
19	Overhead Guard Height		mm	2180		2180	
21	Turning Radius (Outside)		mm	2490		2490	
22	Load Distance (Centerline of front axle to front face of forks)		mm	515		515	
	Rear Overhang		mm	650		650	
23	Basic Right Angle Stacking Aisle Width (Add load length and clearance)		mm	3005		3005	
24	Travel, Max. (FWD/RVS)	Full Load	km/h	19.0/19.0	19.0/19.0	19.0/19.0	19.0/19.0
		No Load	km/h	19.5/19.5	19.5/19.5	19.5/19.5	19.5/19.5
25	Speeds	Full Load	mm/sec	410	410	440	440
		No Load	mm/sec	450	450	460	460
26	Lowering	Full Load	mm/sec	500	500	500	500
		No Load	mm/sec	450	450	450	450
28	Max. Drawbar Pull	Full Load	N (kg)	15100 (1540)	15100 (1540)	19500 (1990)	18500 (1890)
		No Load	N (kg)	10500 (1070)	10500 (1070)	10700 (1090)	10700 (1090)
	Max. Drawbar Pull at 1.5km/h *	Full Load	N (kg)	—	13900 (1420)	—	16000 (1630)
29	Gradeability at 1.5 km/h *	Full Load	% (tanθ)	—	19	—	20
30	Max. Gradeability *	Full Load	% (tanθ)	20	21	24	22
		No Load	% (tanθ)	18	18	19	19
32	Total Weight		kg	4840		4940	
33	Weight Distribution	Full Load	Front	kg		7220	
			Rear	kg		7260	
34	No Load	Front	kg	1120		1180	
		Rear	kg	1660		1700	
		Rear	kg	3180		3240	
35	Number	Front/Rear		2/2		2/2	
36	Tires	Front		250-15-16PR (I)		250-15-16PR (I)	
37	Size	Rear		6.5-10-12PR (I)		6.5-10-12PR (I)	
38	Wheelbase		mm	1700		1700	
39	Tread	Front	mm	1060		1060	
		Rear	mm	965		965	
	Backrest Height		mm	1220		1220	
	Overhead Guard Clearance		mm	1055		1055	
	Counterweight Height		mm	1130		1130	
	Drawbar Pin Center Height		mm	335		335	
	Step Height/Floor Height		mm	505/745		505/745	
40	Underclearance	Min. with Load	mm	150		150	
41	Center of Wheelbase		mm	210		210	
	Grade Clearance	Frame/Counterweight	% (tanθ)	64/43		64/43	
42	Brake	Service (Foot)		Hydraulic		Hydraulic	
43	Parking			Hand	Foot	Hand	Foot
45	Battery	Voltage/Capacity (5HR)	V/AH	12/27		12/64	
49	Make/Model			TOYOTA/4Y		TOYOTA/2Z	
50	Rated Horsepower/r.p.m.		kW (JIS ps)	43/2600 (58/2600)		49/2200 (67/2200)	
51	Rated Torque/r.p.m.		N-m (JIS kg-m)	161/1800 (16.4/1800)		215/1600 (21.9/1600)	
52	Internal Combustion Engine	Number of Cylinder		4		4	
		Piston Displacement	cc	2237		3469	
	Fuel Tank Capacity		liter	60		60	
55	Transmission	Type		Manual	Powershift	Manual	Powershift
		Stage	FWD/RVS	2/2	1/1	2/2	1/1
57	Operating Pressure	For Attachments	Mpa (kg/cm ²) <psi>	14.7 (150) <2100>		14.7 (150) <2100>	

NOTE: * Computed values.

DIMENSIONAL DRAWINGS

8FGJ/8FDJ35

Unit: mm



UNDERCLEARANCE

Mast	-----
Drive Axle	160
Steer Axle	180
Center of Wheelbase	210
Counterweight	170

SPECIAL TREAD

Model		8FGJ/8FDJ35	
Front Tire	Single/Dual	Dual	Dual
Front Tire Size		6.00-15-10PR (I)	28x8-15-12PR (I)
Overall Width	mm	1525	1715
Tread, Front	mm	1155	1290

SPECIAL MAST

Wide Visible Full-Free Lift Two-Stage Mast (FV), Wide Visible Full-Free Lift Three-Stage Mast (FSV)

Model		8FGJ35		8FDJ35		8FGJ35		8FDJ35	
Type of Mast		FV				FSV			
PERFORMANCE									
Speeds	Lifting	Full Load	mm/sec	420	450	400	430		
		No Load	mm/sec	460	480	440	460		
	Lowering	Full Load	mm/sec		460		460		
		No Load	mm/sec		390		390		
DIMENSIONS									
Load Distance (Centerline of front axle to front face of forks)		mm		520		535			

RATED CAPACITIES

8FGJ/8FDJ35

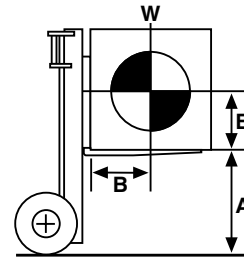
Unit: kg (W)

V, FV Mast (PN)

A (mm)	4500	5000
500	3500	3300 [3400]
600	3180	3000 [3090]
700	2920	2750 [2840]
800	2700	2550 [2620]
B (mm)	900	2510 [2440]
	1000	2340 [2280]
	1100	2200 [2140]
	1200	2070 [2010]
	1300	1960 [1900]

V, FV Mast (PSC)

A (mm)	4500	5000
500	3500	3400
600	3180	3090
700	2920	2840
800	2700	2620
B (mm)	900	2510
	1000	2340
	1100	2200
	1200	2070
	1300	1960



A: Max. Fork Height
B: Load Center
W: Capacity

[] for dual tire models.

FSV Mast (PN or PSC)

A (mm)	4300	4500	4700	5000	5500	6000	6500	7000	
500	3500	3400	3400	3300	2700 [3200]	2000 [2400]	— [1650]	— [900]	
600	3190	3100	3100	3000	2460 [2910]	1820 [2180]	— [1500]	— [820]	
700	2930	2840	2840	2760	2260 [2680]	1670 [2010]	— [1380]	— [750]	
800	2710	2630	2630	2550	2090 [2480]	1550 [1860]	— [1270]	— [690]	
B (mm)	900	2520	2450	2450	2380	1940 [2300]	1440 [1730]	— [1190]	— [640]
	1000	2350	2290	2290	2220	1820 [2150]	1340 [1610]	— [1110]	— [600]
	1100	2210	2150	2150	2080	1700 [2020]	1260 [1510]	— [1040]	— [560]
	1200	2080	2020	2020	1960	1610 [1900]	1190 [1430]	— [980]	— [530]
	1300	1970	1910	1910	1860	1520 [1800]	1120 [1350]	— [930]	— [500]

[] for dual tire models.

MAST SPECIFICATIONS & RATED CAPACITIES

Wide Visible Mast (V), Wide Visible Full-Free Lift Two-Stage Mast (FV), Wide Visible Full-Free Lift Three-Stage Mast (FSV)
8FGJ/8FDJ35

Mast Type	Maximum Fork Height	Overall Height			Free Lift		Single Tire				Dual Tire		
		Lowered	Extended		Without Load Backrest	With Standard Load Backrest	Tilt Range		Load Capacity at 500 mm LC		Tilt Range		Load Capacity at 500 mm LC
			Without Load Backrest	With Standard Load Backrest			FWD	BWD	Pneumatic Tire	Pneumatic-Shaped Cushion Tire	FWD	BWD	Pneumatic Tire/ Pneumatic-Shaped Cushion Tire
V	2700	2000	3560	3920	140	140	6	11	3500	3500	6	11	3500
	3000	2120	3860	4220	140	140	6	11	3500	3500	6	11	3500
	3300	2300	4160	4520	140	140	6	11	3500	3500	6	11	3500
	3500	2400	4360	4720	140	140	6	11	3500	3500	6	11	3500
	3700	2500	4560	4920	140	140	6	11	3500	3500	6	11	3500
	4000	2750	4860	5220	140	140	6	11	3500	3500	6	11	3500
	5000	3250	5860	6220	140	140	6	6	3300	3400	6	6	3400
FV	3000	2120	3660	4145	1395	910	6	11	3500	3500	6	11	3500
	3300	2300	3960	4395	1575	1140	6	11	3500	3500	6	11	3500
	3500	2400	4160	4595	1675	1240	6	11	3500	3500	6	11	3500
	3700	2500	4360	4795	1775	1340	6	11	3500	3500	6	11	3500
	4000	2750	4660	5095	2025	1590	6	11	3500	3500	6	11	3500
FSV	3700	2030	4425	4910	1305	820	6	6	3500	3500	6	6	3500
	4000	2180	4725	5210	1455	970	6	6	3500	3500	6	6	3500
	4300	2230	5025	5510	1505	1020	6	6	3500	3500	6	6	3500
	4500	2280	5225	5710	1555	1070	6	6	3400	3400	6	6	3400
	4700	2440	5425	5910	1715	1230	6	6	3400	3400	6	6	3400
	5000	2630	5725	6210	1905	1420	6	6	3300	3300	6	6	3300
	5500	2880	6225	6710	2155	1670	6	6	2700	2850	6	6	3200
	6000	3130	6725	7210	2405	1920	6	6	2000	2150	6	6	2400
	6500	3380	7225	7710	2655	2170	—	—	—	—	6	6	1650
	7000	3630	7725	8210	2905	2420	—	—	—	—	6	6	900

NOTE: Height of standard load backrest is 1220 mm.