

Engine powered forklift 5.0 - 8.0 ton

5FG/5FD



Engine powered forklifts 5.0 - 6.0 ton

Truck specifications					5FG50	5FG60	50-5FD60
Identification	1.1	Manufacturer			Toyota	Toyota	Toyota
	1.2	Model			5FG50	5FG60	50-5FD60
	1.3	Drive			Gasoline	Gasoline	Diesel
	1.4	Operator type			Rider seated	Rider seated	Rider seated
	1.5	Load capacity/rated load	Q	kg	5000	6000	6000
	1.6	Load centre	c	mm	600	600	600
	1.8	Load distance, centre of drive axle to fork	x	mm	590	590	590
	1.9	Wheelbase	y	mm	2250	2250	2250
	Weight	2.1	Service weight		kg	8050	8570
2.2		Axle load, with load, front/rear		kg	11660/1390	13090/1480	13200/1570
2.3		Axle load, without load, front/rear		kg	4020/4030	3920/4650	4030/4740
Tyres	3.1	Tyre - pneumatic (P), pneumatic shaped cushion (SE), solid rubber (R)			P	P	P
	3.2	Tyre size, front			8.25-15-12PR(I)	8.25-15-12PR(I)	8.25-15-12PR(I)
	3.3	Tyre size, rear			8.25-15-12PR(I)	8.25-15-12PR(I)	8.25-15-12PR(I)
	3.5	Wheels, number front/rear (x=driven wheels)			4x/2	4x/2	4x/2
	3.6	Track width, front	b_{10}	mm	1490	1490	1490
	3.7	Track width, rear	b_{11}	mm	1670	1670	1670
	Dimensions	4.1	Tilt of mast/fork carriage forward/backward	α/β	deg	10/12	10/12
4.2		Height, mast lowered	h_1	mm	2515	2515	2515
4.3		Free lift	h_2	mm	210	210	210
4.4		Lift	h_3	mm	2937	2937	2937
		Lift height	h_{23}	mm	3000	3000	3000
4.5		Height, mast extended	h_4	mm	4370	4370	4370
4.7		Height of overhead guard (cab)	h_6	mm	2440	2440	2440
4.8		Seat height	h_7	mm	1390	1390	1390
4.12		Coupling height	h_{10}	mm	430	430	430
4.19		Overall length	l_1	mm	4680	4725	4725
4.20		Length to face of forks	l_2	mm	3460	3505	3505
4.21		Overall width	b_1	mm	1995	1995	1995
4.22		Fork dimensions	s/e/l	mm	63/150/1220	63/150/1220	63/150/1220
4.23		Fork carriage DIN 15 173, class/type A, B			IVA	IVA	IVA
4.24		Fork-carriage width	b_3	mm	1700	1700	1700
4.31		Ground clearance, with load, below mast	m_1	mm	185	185	185
4.32		Ground clearance, centre of wheelbase	m_2	mm	215	215	215
4.33		Aisle width for pallets 1000 x 1200 crossways	A_{st}	mm	5140	5140	5140
4.34		Aisle width for pallets 800 x 1200 lengthways	A_{st}	mm	5340	5340	5340
4.35		Turning radius	W_a	mm	3350	3350	3350
4.36	Internal turning radius	b_{13}	mm	1357,5	1357,5	1357,5	
Performance data	5.1	Travel speed, with/without load		km/h	23,0/25,0	23,0/25,0	30,0/33,0
	5.2	Lift speed, with/without load		m/s	0,42/0,47	0,42/0,47	0,49/0,54
	5.3	Lowering speed, with/without load		m/s	0,40/0,50	0,40/0,50	0,40/0,50
	5.6	Max. drawbar pull, with/without load		N	57000/25500	54000/25500	59000/25500
	5.7	Gradeability, with load		%	22	19	31
	5.8	Max. gradeability, with/without load		%	46/28	40/26	40/23
	5.10	Service brake			Hydraulic	Hydraulic	Hydraulic
Combustion engine	7.1	Engine manufacturer/type			Toyota 1FZ-E	Toyota 1FZ-E	Hino N04C
	7.2	Engine power acc. to ISO 1585		kW	63	63	90
	7.3	Rated speed		1/min	2350	2350	2200
	7.4	No. of cylinders/displacement		cm ³	6/4476	6/4476	4/4009
Others	8.2	Operating pressure for attachments		bar	175	175	175
	8.3	Oil volume for attachments		l/min	125	125	145
	8.4	Sound level at the driver's ear according to EN 12 053		dB(A)	88	88	88

Performance data and dimensions are nominal and subject to tolerances.
 Specifications are subject to change without notice.
 Please obtain the latest specifications before contracting products.

Master dimensions and rated capacities

5FG/5FD

Model			V								FSV							
5FG50, 5FG/D60	Lift height	h_{23}	3000	3300	3500	3700	4000	4500	5000	5500	6000	4000	4300	4700	5000	6000	7000	8000
	Lift	h_3	2937	3237	3437	3637	3937	4437	4937	5437	5937	3937	4237	4637	4937	5937	6937	7937
	Height, mast lowered	h_1	2515	2665	2765	2865	3165	3415	3865	4115	4365	2515	2665	2765	2865	3415	3865	4115
	Height, mast extended ¹⁾	h_4	—	—	—	—	—	—	—	—	—	5020	5365	5765	6065	7215	8215	9215
	Height, mast extended ²⁾	h_4	4370	4670	4870	5070	5370	5870	6370	6870	7370	5370	5670	6070	6370	7370	8370	9370
	Free lift, without load backrest	h_2	—	—	—	—	—	—	—	—	—	1560	1665	1765	1865	2265	2715	2965
	Free lift, with load backrest	h_2	210	210	210	210	210	210	210	210	210	1145	1295	1395	1495	2045	2495	2745

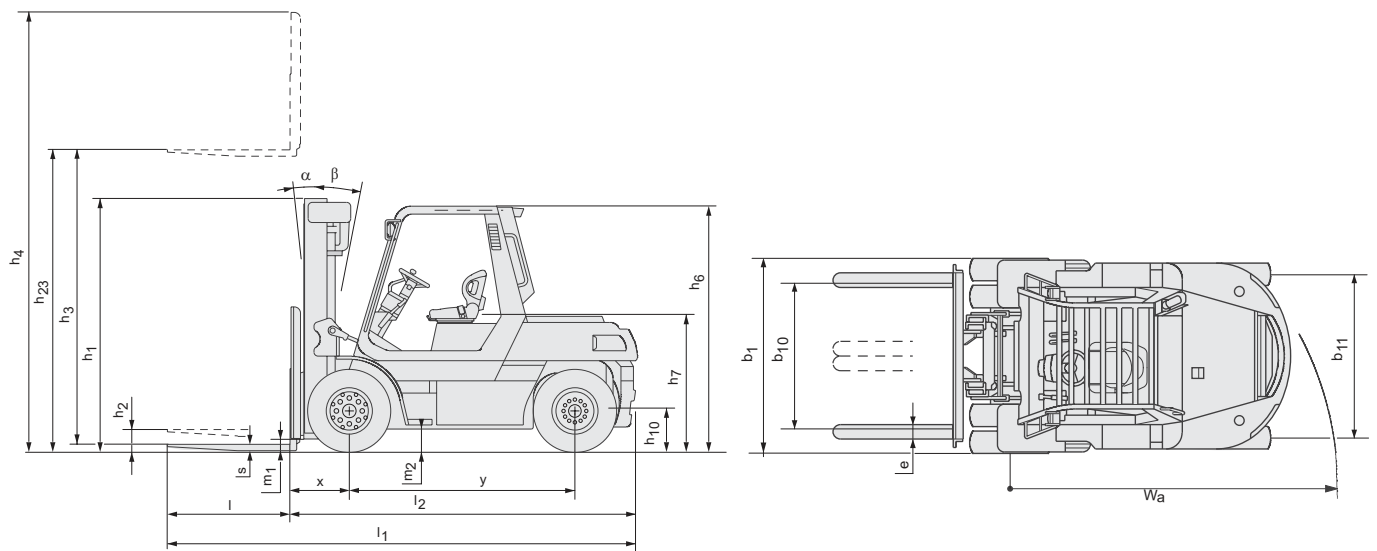
1) Without load backrest

2) With load backrest; Height of standard load backrest is 1370 mm

Dual tyre			V								FSV							
5FG50	Tilt range, forward	deg	10	10	10	10	10	10	10	10	10	6	6	6	6	6	6	6
	Tilt range, backward	deg	12(9)	12(9)	12(9)	12(9)	12(9)	12(9)	12(9)	12(9)	12(9)	6	6	6	6	6	6	6
	Load capacity at 600 mm LC	kg	5000	5000	5000	5000	5000	5000	5000	4750	4400	4750	4750	4750	4750	4300	3500	2500

Dual tyre			V								FSV							
5FG/D60	Tilt range, forward	deg	10	10	10	10	10	10	10	10	10	6	6	6	6	6	6	6
	Tilt range, backward	deg	12(9)	12(9)	12(9)	12(9)	12(9)	12(9)	12(9)	12(9)	12(9)	6	6	6	6	6	6	6
	Load capacity at 600 mm LC	kg	6000	6000	6000	6000	6000	6000	6000	6000	5700	5700	5700	5500	5500	5200	3700	2700

Data in () are for front windshield with wiper and washer, canvas cab and steel cab.



Engine powered forklifts 7.0 ton

Truck specifications					5FG70	50-5FD70
Identification	1.1	Manufacturer			Toyota	Toyota
	1.2	Model			5FG70	50-5FD70
	1.3	Drive			Gasoline	Diesel
	1.4	Operator type			Rider seated	Rider seated
	1.5	Load capacity/rated load	Q	kg	7000	7000
	1.6	Load centre	c	mm	600	600
	1.8	Load distance, centre of drive axle to fork	x	mm	595	595
	1.9	Wheelbase	y	mm	2250	2250
	Weight	2.1	Service weight		kg	9330
2.2		Axle load, with load, front/rear		kg	14590/1740	14710/1820
2.3		Axle load, without load, front/rear		kg	3870/5460	3990/5540
Tyres	3.1	Tyre - pneumatic (P), pneumatic shaped cushion (SE), solid rubber (R)			P	P
	3.2	Tyre size, front			8.25-15-14PR(I)	8.25-15-14PR(I)
	3.3	Tyre size, rear			8.25-15-14PR(I)	8.25-15-14PR(I)
	3.5	Wheels, number front/rear (x=driven wheels)			4x/2	4x/2
	3.6	Track width, front	b ₁₀	mm	1490	1490
	3.7	Track width, rear	b ₁₁	mm	1670	1670
	Dimensions	4.1	Tilt of mast/fork carriage forward/backward			α/β deg
4.2		Height, mast lowered			h ₁ mm	2515
4.3		Free lift			h ₂ mm	215
4.4		Lift			h ₃ mm	2932
		Lift height			h ₂₃ mm	3000
4.5		Height, mast extended			h ₄ mm	4370
4.7		Height of overhead guard (cab)			h ₆ mm	2440
4.8		Seat height/stand height			h ₇ mm	1390
4.12		Coupling height			h ₁₀ mm	430
4.19		Overall length			l ₁ mm	4805
4.20		Length to face of forks			l ₂ mm	3585
4.21		Overall width			b ₁ mm	1995
4.22		Fork dimensions			s/e/l mm	68/150/1220
4.23		Fork carriage DIN 15 173, class/type A, B				IVA
4.24		Fork-carriage width			b ₃ mm	1700
4.31		Ground clearance, with load, below mast			m ₁ mm	180
4.32		Ground clearance, centre of wheelbase			m ₂ mm	210
4.33		Aisle width for pallets 1000 x 1200 crossways			A _{st} mm	5195
4.34		Aisle width for pallets 800 x 1200 lengthways			A _{st} mm	5395
4.35	Turning radius			W _a mm	3400	
4.36	Internal turning radius			b ₁₃ mm	1357,5	
Performance data	5.1	Travel speed, with/without load			km/h	23,0/25,0
	5.2	Lift speed, with/without load			m/s	0,42/0,47
	5.3	Lowering speed, with/without load			m/s	0,40/0,50
	5.6	Max. drawbar pull, with/without load			N	54000/25500
	5.7	Gradeability, with load			%	19
	5.8	Max. gradeability, with/without load			%	35/21
	5.10	Service brake				Hydraulic
Combustion engine	7.1	Engine manufacturer/type				Toyota 1FZ-E
	7.2	Engine power acc. to ISO 1585			kW	63
	7.3	Rated speed			1/min	2350
	7.4	No. of cylinders/displacement			cm ³	6/4476
Others	8.2	Operating pressure for attachments			bar	200
	8.3	Oil volume for attachments			l/min	125
	8.4	Sound level at the driver's ear according to EN 12 053			dB(A)	88

Performance data and dimensions are nominal and subject to tolerances.
Specifications are subject to change without notice.
Please obtain the latest specifications before contracting products.

Master dimensions and rated capacities

5FG/5FD

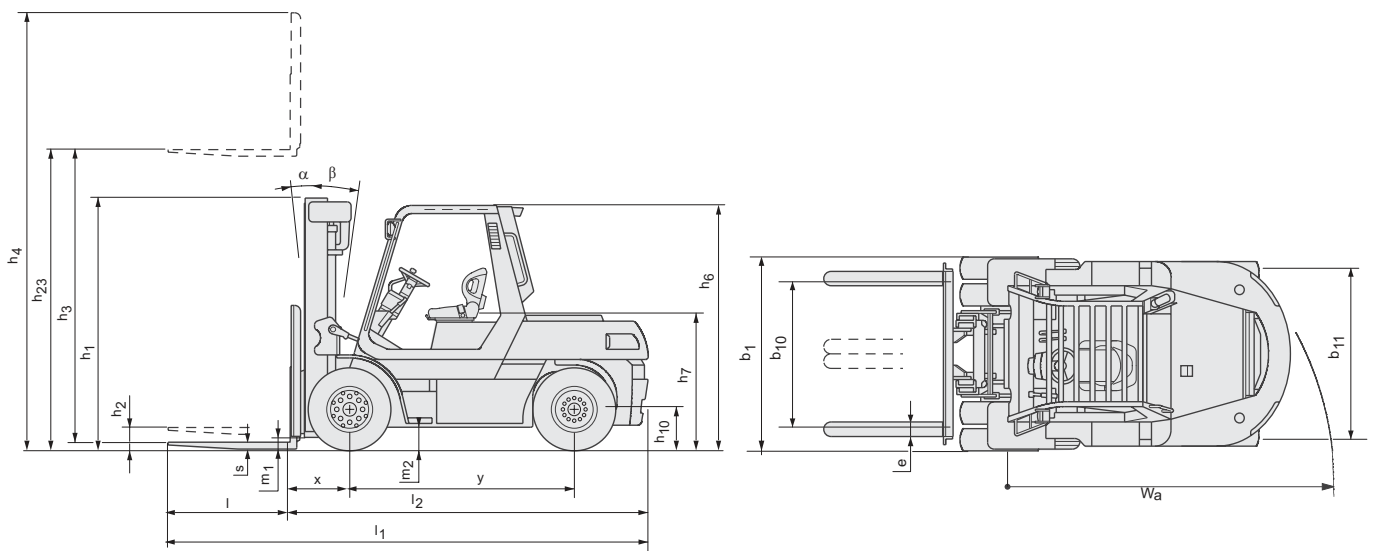
Model			V								FSV							
5FG/D70	Lift height	h_{23}	3000	3300	3500	3700	4000	4500	5000	5500	6000	4000	4300	4700	5000	6000	7000	8000
	Lift	h_3	2932	3232	3432	3632	3932	4432	4932	5432	5932	3932	4232	4632	4932	5932	6932	7932
	Height, mast lowered	h_1	2515	2665	2765	2865	3165	3415	3865	4115	4365	2515	2665	2765	2865	3415	3865	4115
	Height, mast extended ¹⁾	h_4	—	—	—	—	—	—	—	—	—	5020	5365	5765	6065	7215	8215	9215
	Height, mast extended ²⁾	h_4	4370	4670	4870	5070	5370	5870	6370	6870	7370	5370	5670	6070	6370	7370	8370	9370
	Free lift, without load backrest	h_2	—	—	—	—	—	—	—	—	—	1560	1665	1765	1865	2265	2715	2965
	Free lift, with load backrest	h_2	215	215	215	215	215	215	215	215	215	1145	1295	1395	1495	2045	2495	2745

1) Without load backrest

2) With load backrest; Height of standard load backrest is 1370 mm

Dual tyre			V								FSV							
5FG/D70	Tilt range, forward	deg	10	10	10	10	10	10	10	10	10	6	6	6	6	6	6	6
	Tilt range, backward	deg	12(6)	12(9)	12(9)	12(9)	12(9)	12(9)	12(9)	12(9)	12(9)	6	6	6	6	6	6	6
	Load capacity at 600 mm LC	kg	7000	7000	7000	7000	7000	7000	7000	7000	6700	6500	6700	6700	6700	6700	5700	4000

Data in () are for front windshield with wiper and washer, canvas cab and steel cab.



Engine powered forklifts 8.0 ton

Truck specifications						5FD80
Identification	1.1	Manufacturer				Toyota
	1.2	Model				5FD80
	1.3	Drive				Diesel
	1.4	Operator type				Rider seated
	1.5	Load capacity/rated load	Q	kg		8000
	1.6	Load centre	c	mm		600
	1.8	Load distance, centre of drive axle to fork	x	mm		680
	1.9	Wheelbase	y	mm		2500
	Weight	2.1	Service weight		kg	
2.2		Axle load, with load, front/rear		kg		17210/2010
2.3		Axle load, without load, front/rear		kg		5110/6110
Tyres	3.1	Tyre - pneumatic (P), pneumatic shaped cushion (SE), solid rubber (R)				P
	3.2	Tyre size, front				9,00-20-14PR(I)
	3.3	Tyre size, rear				9,00-20-14PR(I)
	3.5	Wheels, number front/rear (x=driven wheels)				4x/2
	3.6	Track width, front	b_{10}	mm		1585
	3.7	Track width, rear	b_{11}	mm		1750
	Dimensions	4.1	Tilt of mast/fork carriage forward/backward	α/β	deg	
4.2		Height, mast lowered	h_1	mm		2880
4.3		Free lift	h_2	mm		210
4.4		Lift	h_3	mm		2932
		Lift height	h_{23}	mm		3000
4.5		Height, mast extended	h_4	mm		4340
4.7		Height of overhead guard (cab)	h_6	mm		2615
4.8		Seat height/stand height	h_7	mm		1565
4.12		Coupling height	h_{10}	mm		520
4.19		Overall length	l_1	mm		5150
4.20		Length to face of forks	l_2	mm		3930
4.21		Overall width	b_1	mm		2160
4.22		Fork dimensions	s/e/l	mm		68/170/1220
4.23		Fork carriage DIN 15 173, class/type A, B				—
4.24		Fork-carriage width	b_3	mm		1800
4.31		Ground clearance, with load, below mast	m_1	mm		215
4.32		Ground clearance, centre of wheelbase	m_2	mm		350
4.33		Aisle width for pallets 1000 x 1200 crossways	A_{st}	mm		5580
4.34		Aisle width for pallets 800 x 1200 lengthways	A_{st}	mm		5780
4.35	Turning radius	W_e	mm		3700	
4.36	Internal turning radius	b_{13}	mm		1520	
Performance data	5.1	Travel speed, with/without load		km/h		29,0/32,0
	5.2	Lift speed, with/without load		m/s		0,40/0,43
	5.3	Lowering speed, with/without load		m/s		0,40/0,50
	5.6	Max. drawbar pull, with/without load		N		59000/28400
	5.7	Gradeability, with load		%		20
	5.8	Max. gradeability, with/without load		%		31/23
	5.10	Service brake				Hydraulic
Combustion engine	7.1	Engine manufacturer/type				Hino N04C
	7.2	Engine power acc. to ISO 1585		kW		90
	7.3	Rated speed		1/min		2200
	7.4	No. of cylinders/displacement		cm ³		4/4009
Others	8.2	Operating pressure for attachments		bar		185
	8.3	Oil volume for attachments		l/min		145
	8.4	Sound level at the driver's ear according to EN 12 053		dB(A)		88

Performance data and dimensions are nominal and subject to tolerances.
Specifications are subject to change without notice.
Please obtain the latest specifications before contracting products.

Master dimensions and rated capacities

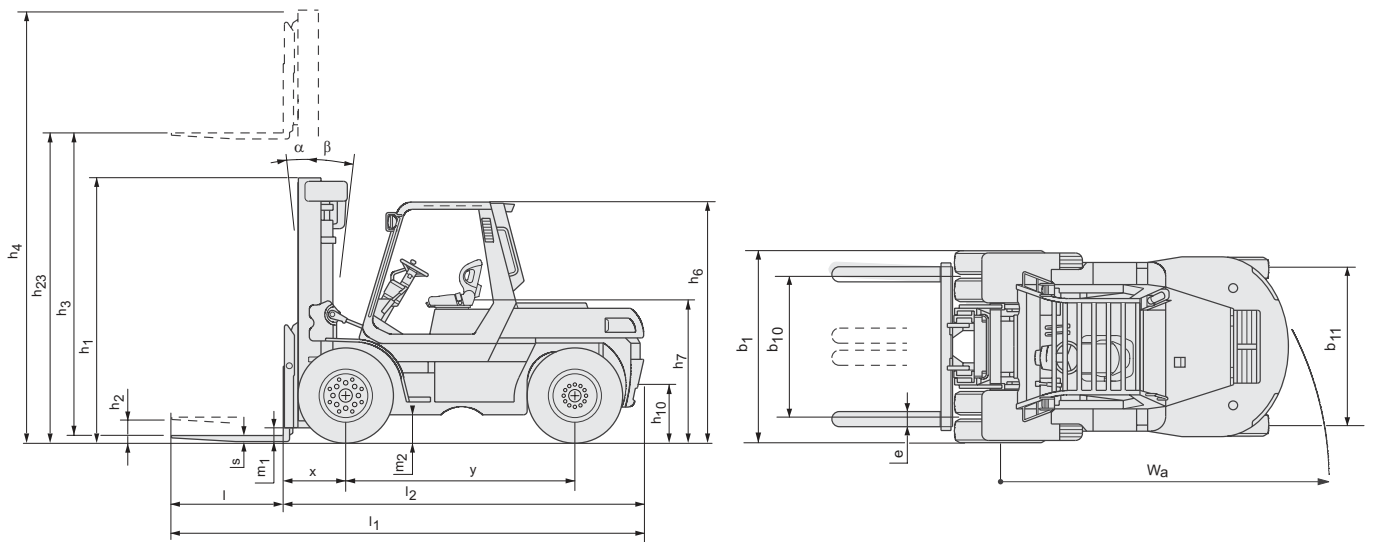
5FG/5FD

Model			V								
5FD80	Lift height	h_{23}	3000	3300	3500	3700	4000	4500	5000	5500	6000
	Lift	h_3	2932	3232	3432	3632	3932	4432	4932	5432	5932
	Height, mast lowered ¹⁾	h_1	2880	3030	3130	3230	3380	3630	4080	4330	4580
	Height, mast extended	h_4	4340	4640	4840	5040	5340	5840	6510	7010	7510
	Free lift	h_2	210	210	210	210	210	210	210	210	210

1) with optional tyre size; 10.00-20-14 PR (I), plus 25 mm.

Dual tyre			V								
5FD80	Tilt range, forward	deg	10	10	10	10	10	10	10	10	10
	Tilt range, backward	deg	12(10)	12(10)	12(10)	12(12)	12(12)	12(12)	12(12)	12(12)	12(12)
	Load capacity at 600 mm LC	kg	8000	8000	8000	8000	8000	8000	8000	8000	7700

Data in () are for front windshield with wiper and washer, canvas cab and steel cab.



Standard equipments:

- Toyota OPS (Operator Presence Sensing)
- Toyota ORS (Operator Restraint System) seat
- Wide visible mast (MFH: 3000 mm)
- Load backrest (Height: 1370 mm)
- Long forks (Length: 1220 mm)
- Long forkbar [Length: 1700 mm (5FG50, 5FG/D60.70), 1800 mm (5FD80)]
- 2-way valve
- Pneumatic tyres
- Full hydraulic power steering
- 8" Cyclone air cleaner with snorkel air intake
- Upswept exhaust
- Headlights
- Combination meter including self diagnostic system
- Tilt steering column



TP-Technical Publications, Sweden — 745564-040, version 3, 1008 — 5FG/5FD